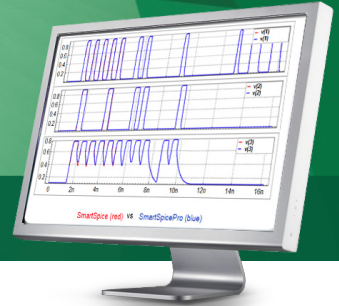


SmartSpice Pro

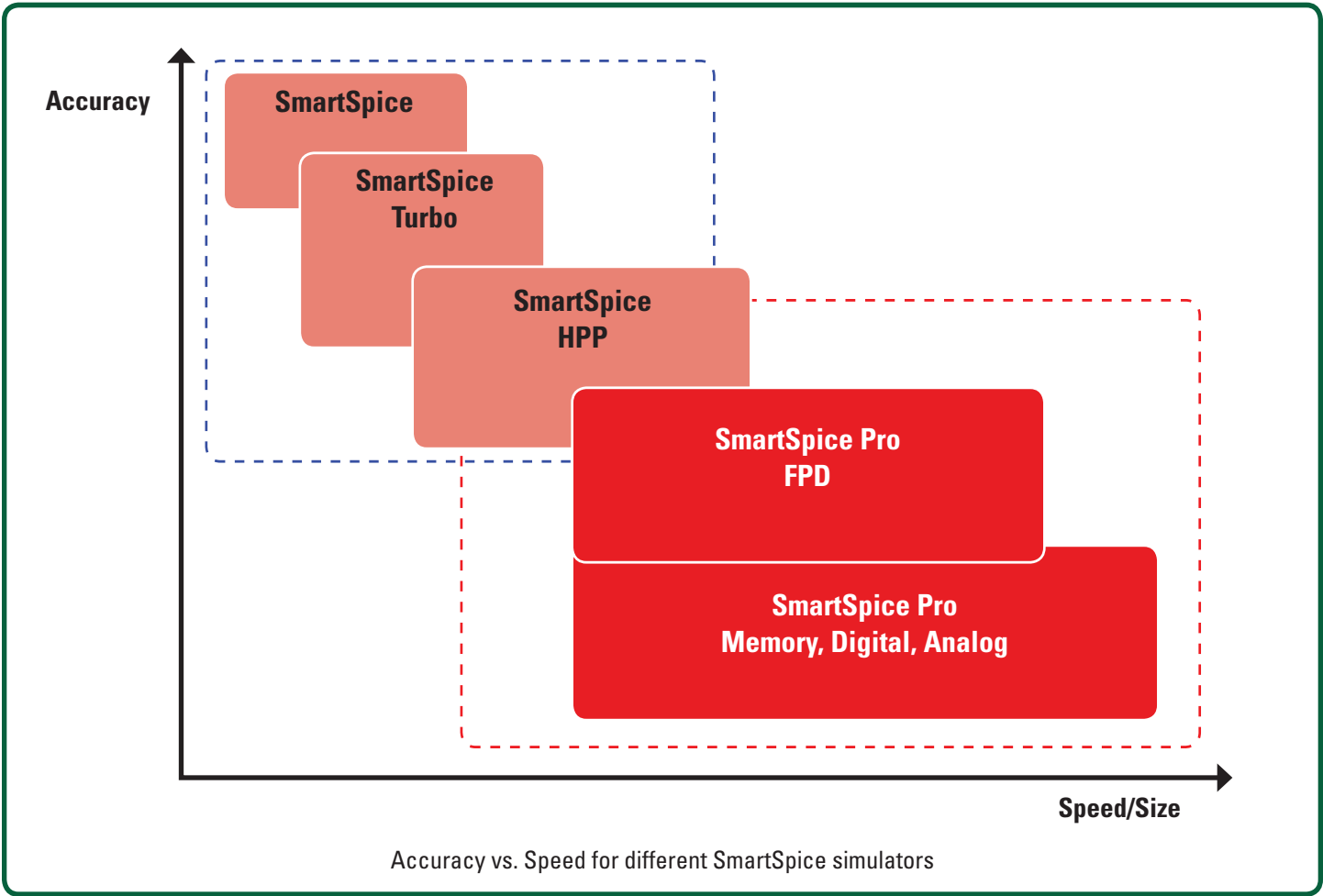
FastSPICE Circuit Simulator



SmartSpice Pro delivers superior performance for SRAM and TFT designs. Unique fast parallel technology provides SPICE-accurate and fast simulation of multimillion element memory and display circuits. SmartSpice Pro is fully integrated with industry standard SmartSpice Analog Simulator to achieve maximum productivity. Advanced multirate simulation technology provides core functionality for transient circuit verification for designer.

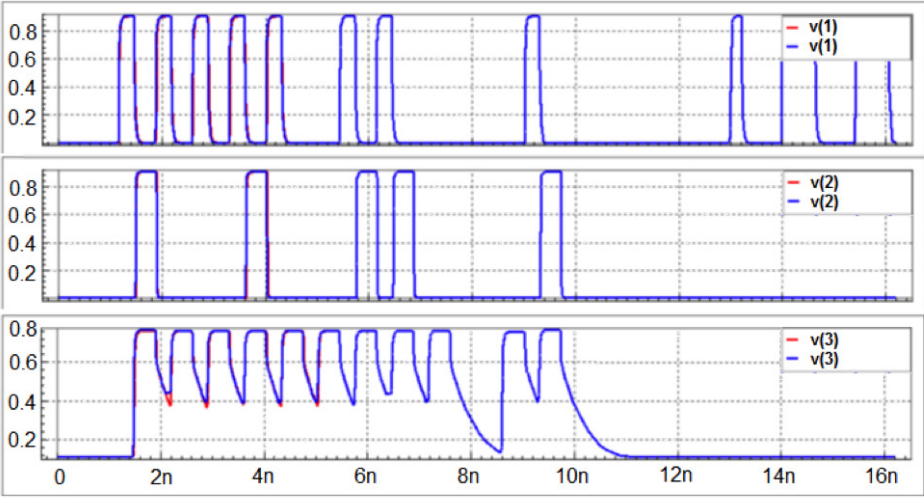
- **HSPICE™ and Spectre™ compatible**
- **Provides accurate simulation using advanced multirate simulation technology**
- **Scalable fast parallel solver**
- **Integrated Verilog-A**
- **Support of advanced modeling technologies FinFET 7nm, 10nm, 16nm**
- **Integration with TSMC TMI modeling interface**
- **Designer oriented set of postprocessor functions for circuit sanity check**
- **Rich set of industry standard technology models for various areas (TFT display, memory and analog)**

SILVACO



Accuracy

- Exploits traditional SPICE simulation algorithms for better accuracy
- Uses event-driven approach for communication between active and dormant parts of circuits
- Uses transient multirate simulation technology
- Uses adaptive timestep control algorithms and time grid mapping



SmartSpice (red) vs SmartSpicePro (blue)

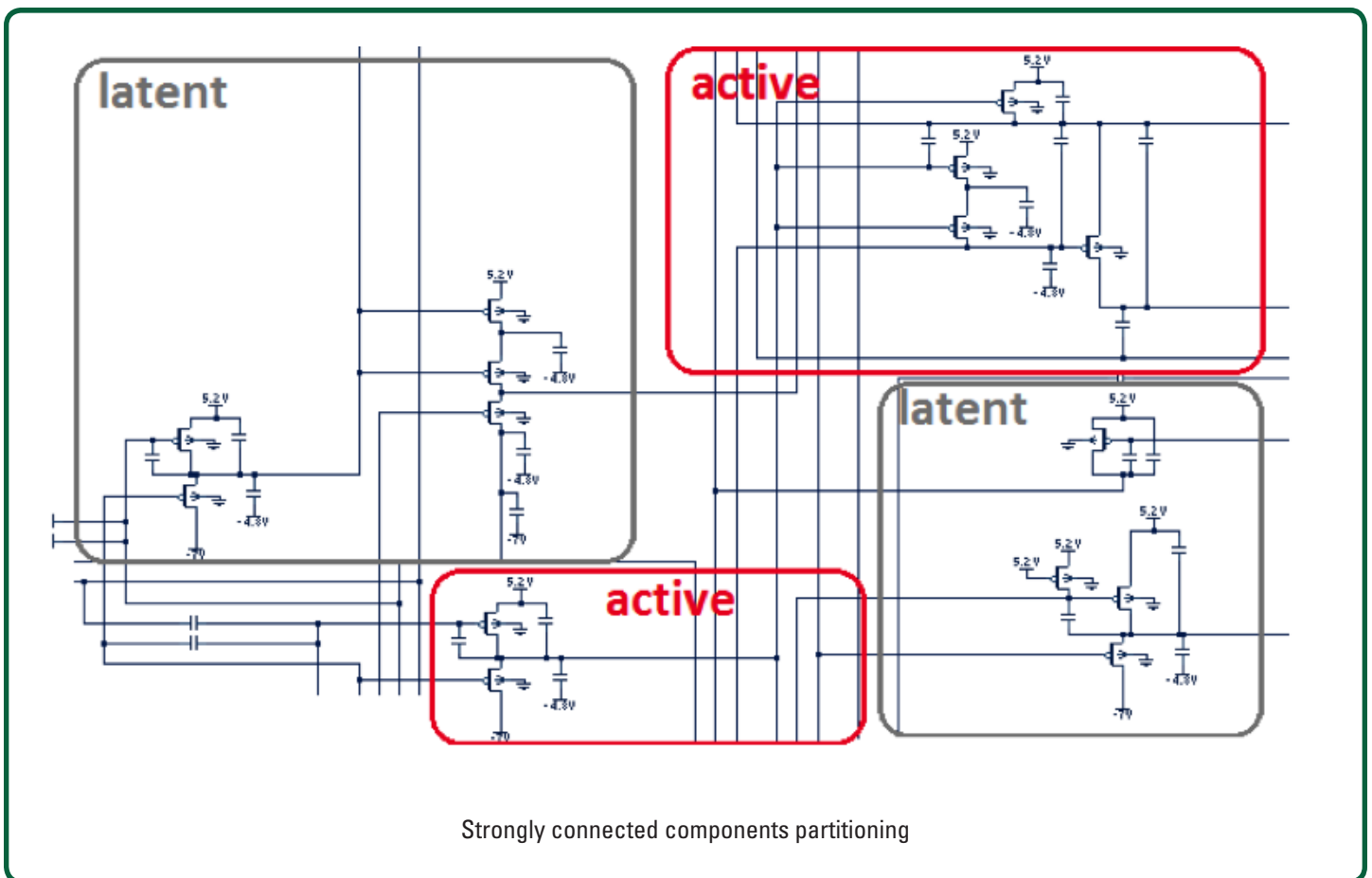
Waveform Overlay

Simulation

- Support DC and transient analysis
- Support of block latency control
- Support block activity control
- Support of Event-driven resolution control
- Support of block coupling control
- Provides control over block solution control using Newton-Raphson solver
- Deliver composite set of options for accuracy vs. performance trade-off

Partitioner

- MOS Channel Connected Components
- Automatic detection of power blocks
- Efficient handling of floating capacitors coupling
- Effective feedback loops simulation



Models

- Analytical models FinFET, BSIM3v3, BSIM4, TFT, BSIMSOI4, HiSIM,
- Lookup table BSIM4

Input

- SPICE/HSPICE/Spectre netlist, Verilog-A

Output

- FSDB waveforms
- Measurements
- Log file
- Analysis results

SILVACO

HEADQUARTERS

4701 Patrick Henry Drive, Bldg. 2

Santa Clara, CA 95054 USA

Phone: 408-567-1000

Fax: 408-496-6080

CALIFORNIA

sales@silvaco.com

408-567-1000

MASSACHUSETTS

masales@silvaco.com

978-323-7901

TEXAS

txsales@silvaco.com

512-418-2929

JAPAN

jpsales@silvaco.com

EUROPE

eusales@silvaco.com

FRANCE

frsales@silvaco.com

KOREA

krsales@silvaco.com

TAIWAN

twsales@silvaco.com

SINGAPORE

sgsales@silvaco.com

CHINA

cnsales@silvaco.com



WWW.SILVACO.COM

Rev 052516_01