

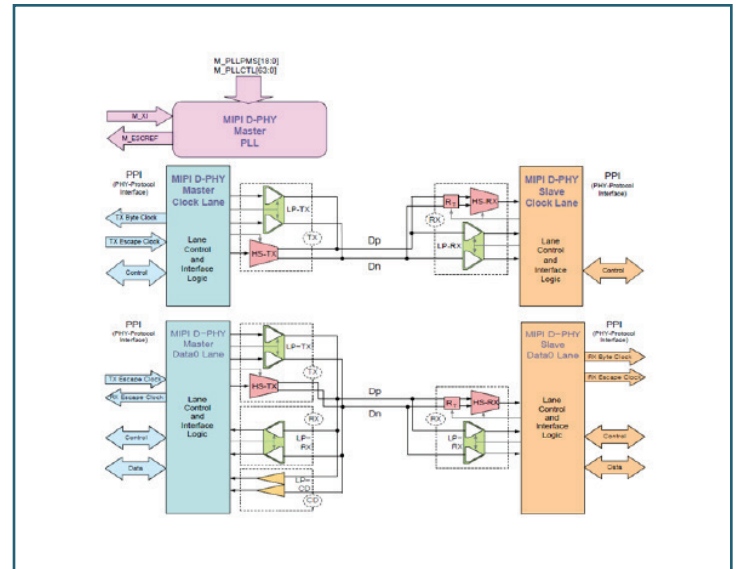
MIPI D-PHY/C-PHY Combo PHY

Overview

The Samsung Foundry MIPI D-PHY/C-PHY combo PHY is a hard macro for CSI RX and DSI TX. IO pads and ESD structures are included, as well as extensive built-in self test features such as loopback and scan support. It offers a cost-effective and low-power solution.

Key Features

- 8nm low power enhanced CMOS device technology
- 1.8V, 0.85V, 1.2V power supply
- Compliant to D-PHY V2.0 and C-PHY V1.1 specification
- Lane configuration
 - o 4.5Gbps D-PHY Master 4 lanes for DSI TX
 - o 2.5Gbps C-PHY Master 3 trios for DSI TX
 - o 4.5Gbps D-PHY Slave 4 lanes for CSI RX
 - o 2.5Gbps C-PHY Slave 3 trios for CSI RX
- Global Operation Timing Parameters Control
- Backward compatible with previous versions
- Built-in self test feature capable of producing and checking PRBS random pattern



Deliverables

- Front-end DK : Timing LIB, Verilog model, sample test bench
- Back-end DK : Physical view LEF, GDSII layout, DRC, LVS
- Documentation : Datasheet and user guide

Applications

- Mobile / IoT

SAMSUNG Foundry

For more information, please contact us at IP@silvaco.com.

©Copyright Silvaco, Inc. All rights reserved. Silvaco is a registered trademark of Silvaco, Inc. Samsung Foundry is a trademark of Samsung Electronics Co. Ltd. All other names mentioned herein are trademarks or registered trademark of their respective owners.

All information provided is for reference purposes only and may be changed without notice.

SILVACO

HEADQUARTERS

2811 Mission College Boulevard, 6th Floor
Santa Clara, CA 95054

Phone: 408-567-1000

Fax: 408-496-6080



CALIFORNIA

sales@silvaco.com
408-567-1000

MASSACHUSETTS

masales@silvaco.com
978-323-7901

TEXAS

txsales@silvaco.com
512-418-2929

JAPAN

jpsales@silvaco.com

EUROPE

eusales@silvaco.com

FRANCE

eusales@silvaco.com

KOREA

krsales@silvaco.com

TAIWAN

twsales@silvaco.com

SINGAPORE

sgsales@silvaco.com

CHINA

cnsales@silvaco.com

WWW.SILVACO.COM