

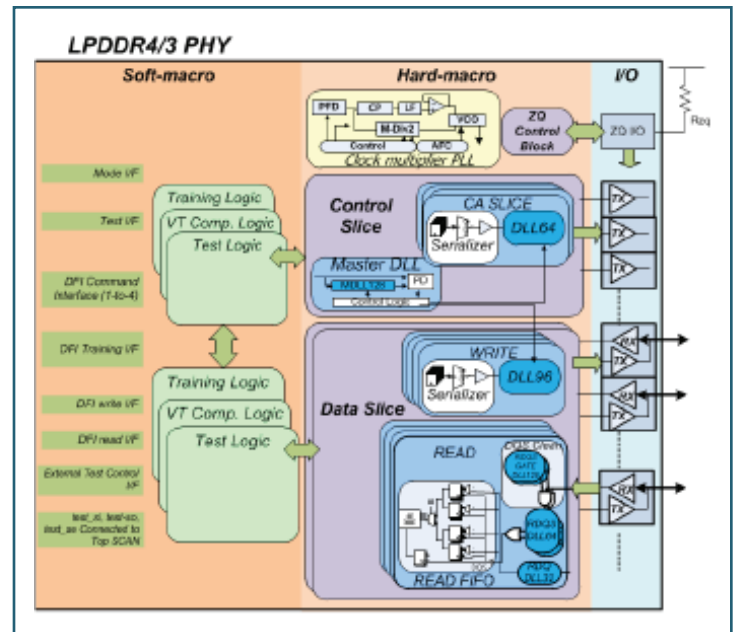
LPDDR4/LPDDR3 PHY

Overview

The Samsung Foundry LPDDR combo PHY supports 3.2Gbps LPDDR4 with 16-bit 1-channel configuration or 2.1Gbps LPDDR3 with 32-bit 1-channel configuration. It is DFI4.0 compliant with a frequency ratio of 1:2.

Key Features

- Samsung Foundry 10nm low power CMOS device technology
- Supports 3.2Gbps LPDDR4
- Supports 2.133Gbps LPDDR3
- Off-chip driver (OCD)
- Supports Retention IO
- On-die term (VDDQ-TERM, Center-Tap TERM)
- Auto training after memory initialization
 - o Command Bus Training
 - o Write Leveling
 - o Auto-DQS Cleaning (LPDDR4)
 - o Gate Training (LPDDR4)
 - o Write/Read Bit Training
 - o Vref CA/DQ Training
 - o Voh Calibration
- Power supply
 - o 1.0V PHY Core Voltage (Typ.)
 - o 1.2V for LPDDR4 IO, 1.35 for LPDDR3 IO



Deliverables

- Model and soft macro netlist
- Timing DK
- DFT model and netlist
- CIR, GDS (GDS2) and LEF
- Datasheet

SAMSUNG Foundry

For more information, please contact us at IP@silvaco.com.

©Copyright Silvaco, Inc. All rights reserved. Silvaco is a registered trademark of Silvaco, Inc. Samsung Foundry is a trademark of Samsung Electronics Co. Ltd. All other names mentioned herein are trademarks or registered trademark of their respective owners.

All information provided is for reference purposes only and may be changed without notice.

SILVACO

HEADQUARTERS

2811 Mission College Boulevard, 6th Floor

Santa Clara, CA 95054

Phone: 408-567-1000

Fax: 408-496-6080



CALIFORNIA

sales@silvaco.com

408-567-1000

MASSACHUSETTS

masales@silvaco.com

978-323-7901

TEXAS

txsales@silvaco.com

512-418-2929

JAPAN

jpsales@silvaco.com

EUROPE

eusales@silvaco.com

FRANCE

eusales@silvaco.com

KOREA

krsales@silvaco.com

TAIWAN

twsales@silvaco.com

SINGAPORE

sgsales@silvaco.com

CHINA

cnsales@silvaco.com

WWW.SILVACO.COM

Rev 012720_02

71305