

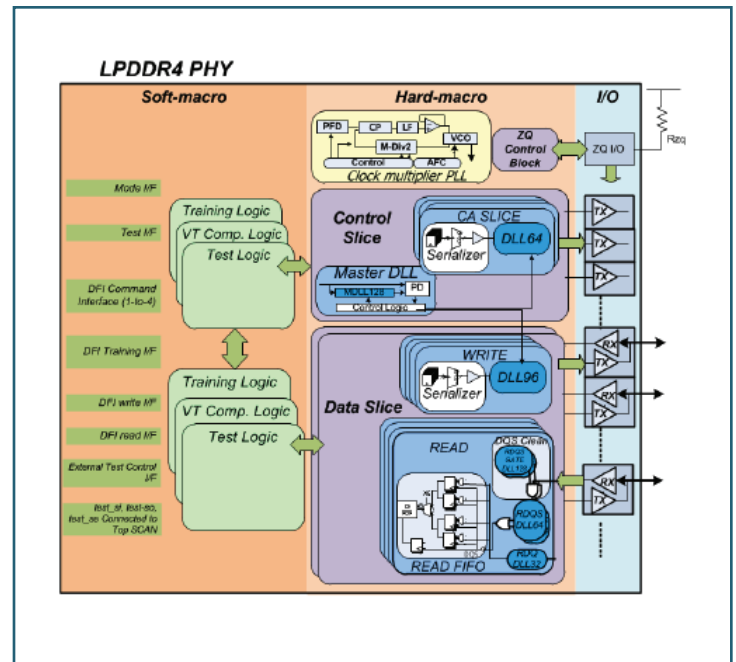
LPDDR4X PHY

Overview

This LPDDR can support 4.266Gbps LPDDR4 with a 16-bit 1-channel configuration. It is DFI4.0 compliant with a frequency ratio 1:4 and 1:2.

Key Features

- 14nm low power CMOS device technology
- Supports 4.266Gbps LPDDR4
- Off-chip driver (OCD)
- Supports Retention IO
- On-die term (VSSQ-TERM)
- Auto training after Memory initialization
 - Command Bus Training
 - Write Leveling
 - Auto-DQS cleaning
 - Gate Training
 - Write/Read bit Training
 - Vref CA/DQ Training
- Power supply
 - 0.8V PHY Core Voltage (Typ.)
 - 0.6V for LPDDR4 IO



Deliverables

- Model and softmacro netlist
- Timing DK
- DFT model and netlist
- CIR, GDS(GDS2) and LEF.
- Datasheet

SAMSUNG Foundry

For more information, please contact us at IP@silvaco.com.

©Copyright Silvaco, Inc. All rights reserved. Silvaco is a registered trademark of Silvaco, Inc. Samsung Foundry is a trademark of Samsung Electronics Co. Ltd. All other names mentioned herein are trademarks or registered trademark of their respective owners.

All information provided is for reference purposes only and may be changed without notice.

SILVACO

HEADQUARTERS

2811 Mission College Boulevard, 6th Floor
Santa Clara, CA 95054

Phone: 408-567-1000

Fax: 408-496-6080



CALIFORNIA

sales@silvaco.com
408-567-1000

MASSACHUSETTS

masales@silvaco.com
978-323-7901

TEXAS

txsales@silvaco.com
512-418-2929

JAPAN

jp-sales@silvaco.com

EUROPE

eu-sales@silvaco.com

FRANCE

eu-sales@silvaco.com

KOREA

kr-sales@silvaco.com

TAIWAN

tw-sales@silvaco.com

SINGAPORE

sg-sales@silvaco.com

CHINA

cn-sales@silvaco.com

WWW.SILVACO.COM

Rev 062619

71154