

UHD Channel/SIF AFE

Overview

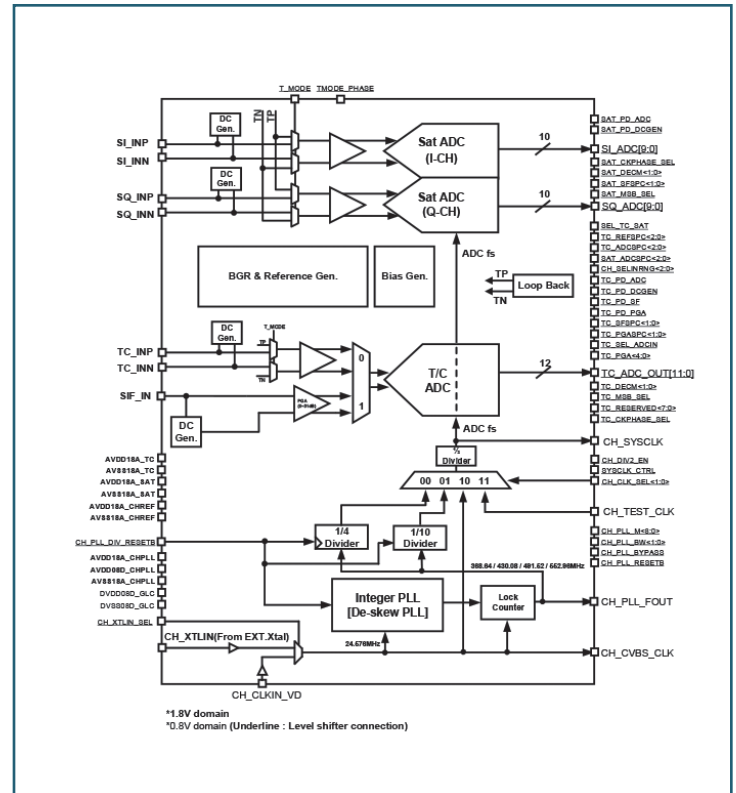
This 12-bit 61.44 MS/s one channel A-to-D interface is for terrestrial/cable (differential inputs) and SIF (single input) applications and a 10-bit 138.24 MS/s dual channel A-to-D interface for satellite (differential inputs). It has three A/D converter, a PGA, internal bias generator including band-gap reference (BGR) and integer PLL.

Key Features

- 14nm Low Power Plus (LN14LPP) CMOS device technology
- 1.8V, 0.8V dual power supply
- Resolution : 12bit (Terrestrial/Cable and SIF), 10bit (Satellite)
- Conversion Rate : 61.44MS/s (Terrestrial/Cable), 24.576MS/s (SIF), 138.24MS/s (Satellite)
- SNDR : > 56dB (T/C), > 46dB (Satellite)
- SNR : > 50dB (SIF)

Deliverables

- DataSheet
- UserGuide
- Verilog model
- Timing DK
- CDL netlist
- Layout (GDS2 or OAS)



Applications

- Mobile/Consumer/Network/IoT

SAMSUNG Foundry

For more information, please contact us at IP@silvaco.com.

©Copyright Silvaco, Inc. All rights reserved. Silvaco is a registered trademark of Silvaco, Inc. Samsung Foundry is a trademark of Samsung Electronics Co. Ltd. All other names mentioned herein are trademarks or registered trademark of their respective owners.

All information provided is for reference purposes only and may be changed without notice.

SILVACO

HEADQUARTERS

2811 Mission College Boulevard, 6th Floor
Santa Clara, CA 95054

Phone: 408-567-1000

Fax: 408-496-6080



CALIFORNIA

sales@silvaco.com

408-567-1000

MASSACHUSETTS

masales@silvaco.com

978-323-7901

TEXAS

txsales@silvaco.com

512-418-2929

JAPAN

jp-sales@silvaco.com

EUROPE

eu-sales@silvaco.com

FRANCE

fr-sales@silvaco.com

KOREA

kr-sales@silvaco.com

TAIWAN

tw-sales@silvaco.com

SINGAPORE

sg-sales@silvaco.com

CHINA

cn-sales@silvaco.com

WWW.SILVACO.COM

Rev 080819_02

71128