

## Power On Reset

### Overview

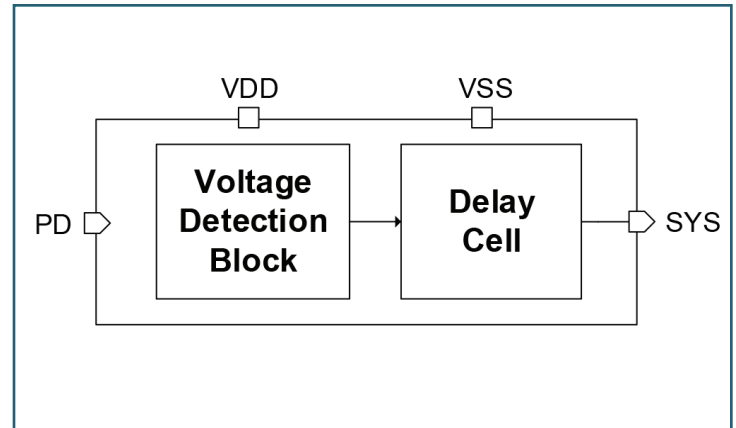
The power on reset can provide a reset signal to the SoC. The power on reset contains a voltage detection block and a delay cell. The power on reset detects power rising over 0.45V and flags a reset signal from low to high.

### Key Features

- 14nm Low Power CMOS device technology
- 0.72 to 0.99V single power supply
- Detection voltage: 0.45V (Typical)
- Logic supply voltage detecting

### Deliverables

- Datasheet
- User Guide
- Verilog model
- Timing DK
- CDL netlist
- Layout (GDS2 or OAS)



### Applications

- Mobile/Network/IoT

# SAMSUNG Foundry

For more information, please contact us at [IP@silvaco.com](mailto:IP@silvaco.com).

©Copyright Silvaco, Inc. All rights reserved. Silvaco is a registered trademark of Silvaco, Inc. Samsung Foundry is a trademark of Samsung Electronics Co. Ltd. All other names mentioned herein are trademarks or registered trademark of their respective owners.

All information provided is for reference purposes only and may be changed without notice.

# SILVACO

HEADQUARTERS

2811 Mission College Boulevard, 6th Floor

Santa Clara, CA 95054

Phone: 408-567-1000

Fax: 408-496-6080



CALIFORNIA

[sales@silvaco.com](mailto:sales@silvaco.com)

408-567-1000

MASSACHUSETTS

[masales@silvaco.com](mailto:masales@silvaco.com)

978-323-7901

TEXAS

[txsales@silvaco.com](mailto:txsales@silvaco.com)

512-418-2929

JAPAN

[jpsales@silvaco.com](mailto:jpsales@silvaco.com)

EUROPE

[eusales@silvaco.com](mailto:eusales@silvaco.com)

FRANCE

[eusales@silvaco.com](mailto:eusales@silvaco.com)

KOREA

[krsales@silvaco.com](mailto:krsales@silvaco.com)

TAIWAN

[twsales@silvaco.com](mailto:twsales@silvaco.com)

SINGAPORE

[sgsales@silvaco.com](mailto:sgsales@silvaco.com)

CHINA

[cnsales@silvaco.com](mailto:cnsales@silvaco.com)

[WWW.SILVACO.COM](http://WWW.SILVACO.COM)

Rev 050119\_01

71123