

PVT Sensor

Overview

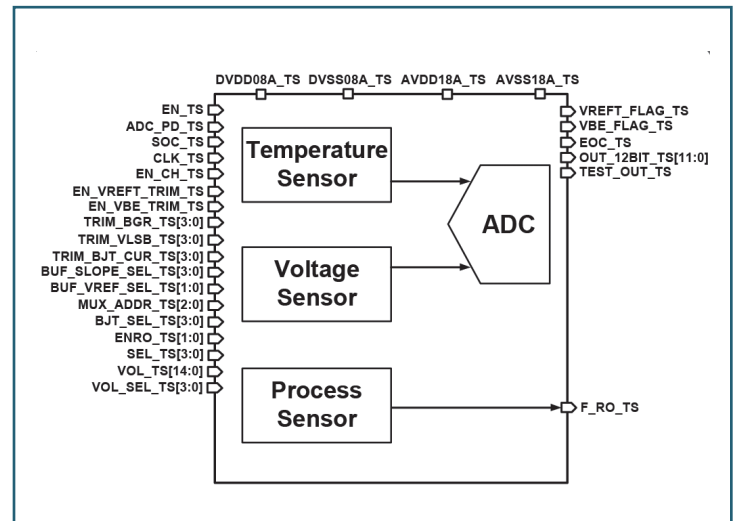
The PVT sensor includes a process sensor, voltage sensor, temperature sensor and a 12-bit output ADC. The PVT sensor has a resolution of 0.0625°C for the temperature sensor and 0.34mV for the voltage sensor, respectively. The process sensor can sense whether the fabricated CMOS is fast, typical or slow for logic devices.

Key Features

- 14nm Low Power CMOS device technology
- 1.8V, 0.8V dual power supply
- Operational Junction Temperature (T_j): -40 to 125°C
- Sensing Junction Temperature (T_j) range: -40 to 125°C
- Temperature sensor resolution: 0.0625°C
- Voltage sensor input voltage range: 0 to 1.3V
- Voltage sensor resolution: 0.34mV
- Process sensor type: LVT, RVT

Deliverables

- DataSheet
- UserGuide
- Verilog model
- Timing DK
- CDL netlist
- Layout (GDS2 or OAS)



Applications

- Mobile/Consumer/Network/IoT

SAMSUNG Foundry

For more information, please contact us at IP@silvaco.com.

©Copyright Silvaco, Inc. All rights reserved. Silvaco is a registered trademark of Silvaco, Inc. Samsung Foundry is a trademark of Samsung Electronics Co. Ltd. All other names mentioned herein are trademarks or registered trademark of their respective owners.

All information provided is for reference purposes only and may be changed without notice.

SILVACO

HEADQUARTERS

2811 Mission College Boulevard, 6th Floor

Santa Clara, CA 95054

Phone: 408-567-1000

Fax: 408-496-6080



CALIFORNIA

sales@silvaco.com

408-567-1000

MASSACHUSETTS

masales@silvaco.com

978-323-7901

TEXAS

txsales@silvaco.com

512-418-2929

JAPAN

jpsales@silvaco.com

EUROPE

eusales@silvaco.com

FRANCE

eusales@silvaco.com

KOREA

krsales@silvaco.com

TAIWAN

twsales@silvaco.com

SINGAPORE

sgsales@silvaco.com

CHINA

cnsales@silvaco.com

WWW.SILVACO.COM

Rev 062019_01

71115