

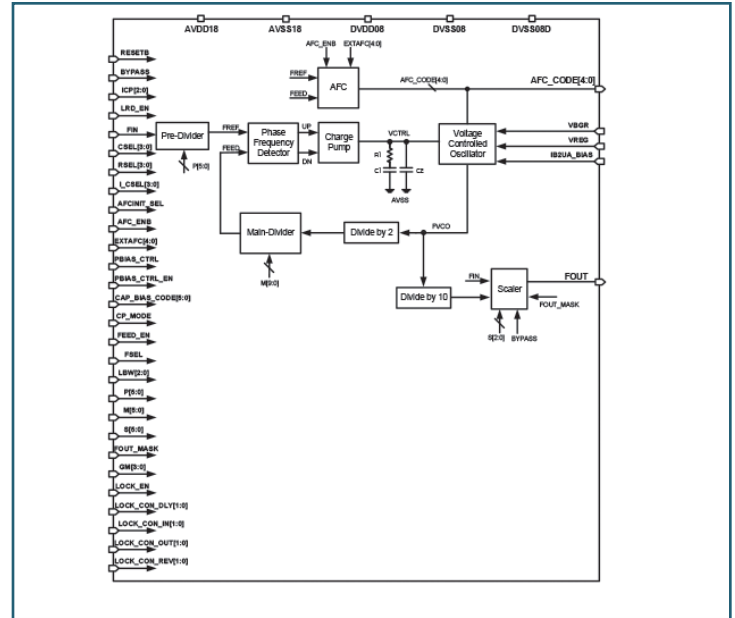
640Hz Low Jitter Integer PLL

Overview

It is a dual supply voltage integer low jitter Phase Locked Loop (PLL). It generates an 640MHz output clock with jitter of 2ps, RMS. The input clock bypass mode and glitch-free post-diving function are available.

Key Features

- 14nm Low Power CMOS device technology
- 1.8V, 0.9V dual power supply
- Operation junction temperature: -40 to 125°C
- Input frequency : 40MHz (fixed frequency)
- Output frequency : 640MHz (fixed frequency)
- Integrated RMS jitter: 2ps(integrated from 50kHz to 80MHz)
- Output clock duty ratio: 48 to 52%
- Glitch-free post-divider / Input bypass mode ($F_{OUT}=F_{IN}$)



Deliverables

- Datasheet
- User Guide
- Verilog model
- Timing DK
- CDL netlist
- Layout (GDSII or OAS)

Applications

- Mobile/Consumer/Network/IoT

SAMSUNG Foundry

For more information, please contact us at IP@silvaco.com.

©Copyright Silvaco, Inc. All rights reserved. Silvaco is a registered trademark of Silvaco, Inc. Samsung Foundry is a trademark of Samsung Electronics Co. Ltd. All other names mentioned herein are trademarks or registered trademark of their respective owners.

All information provided is for reference purposes only and may be changed without notice.

SILVACO

HEADQUARTERS

2811 Mission College Boulevard, 6th Floor
Santa Clara, CA 95054

Phone: 408-567-1000

Fax: 408-496-6080



CALIFORNIA

sales@silvaco.com

408-567-1000

MASSACHUSETTS

masales@silvaco.com

978-323-7901

TEXAS

txsales@silvaco.com

512-418-2929

JAPAN

jpsales@silvaco.com

EUROPE

eusales@silvaco.com

FRANCE

eusales@silvaco.com

KOREA

krsales@silvaco.com

TAIWAN

twsales@silvaco.com

SINGAPORE

sgsales@silvaco.com

CHINA

cnsales@silvaco.com

WWW.SILVACO.COM

Rev 062719

71107