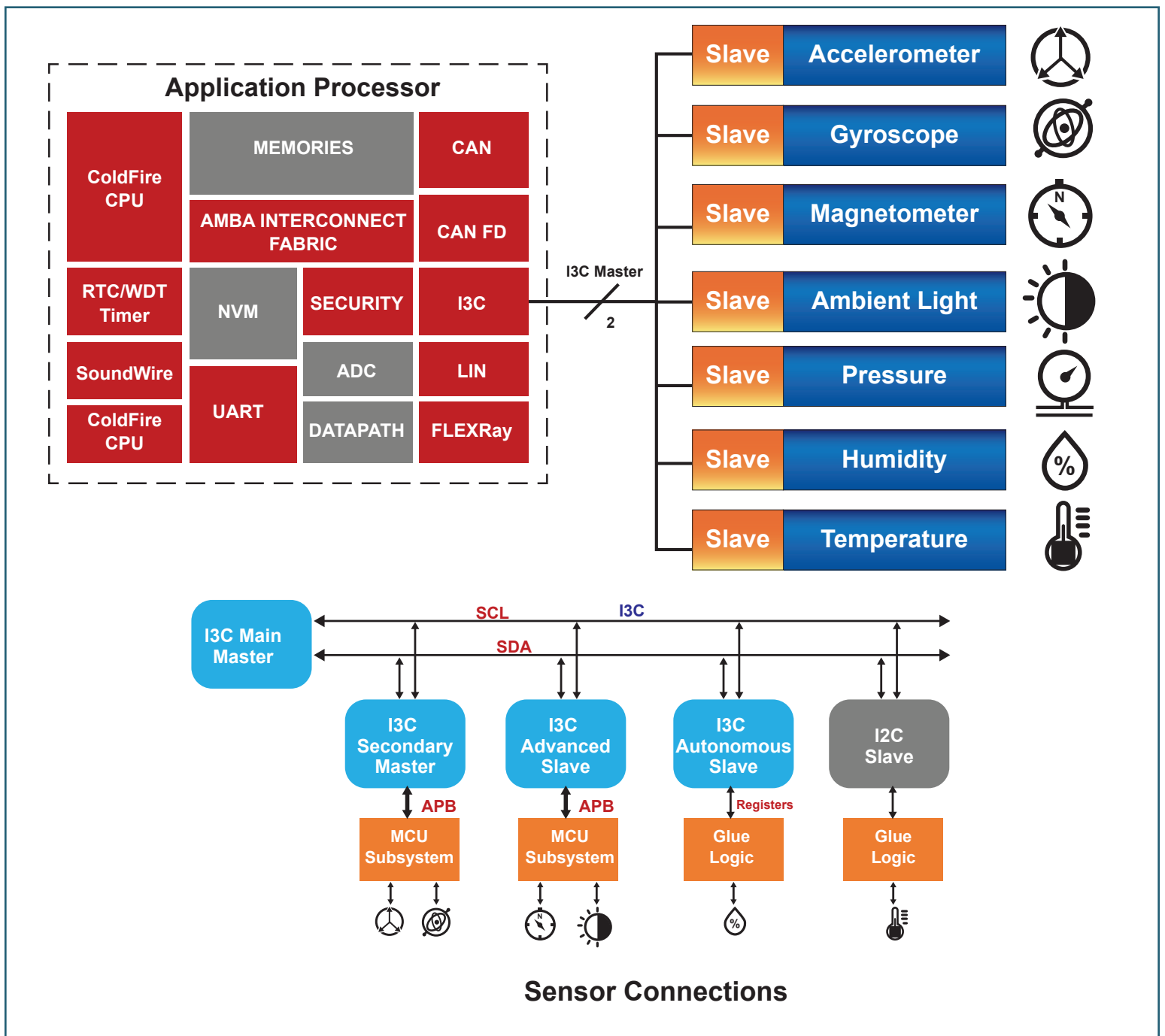


MIPI I3C Family for Sensor and IoT Applications

I3C is a new a standard from the MIPI Alliance that unifies and extends the legacy interfaces of I2C and SPI and adds new powerful features to support modern mobile, automotive, and IOT applications. I3C products from Silvaco provides customers with a range of products that allow customers to take advantage of the higher performance and lower power features that come with I3C.

APPLICATIONS

- Mechanical sensing (Gyroscopes, MEMS, etc.)
- Environmental sensing (Light, pressure, temperature, humidity, etc.)
- Biometrics (Fingerprinting, glucose, heart rate, breathalyzer, etc.)
- Communication (Near-field sensors, infrared remotes, etc.)



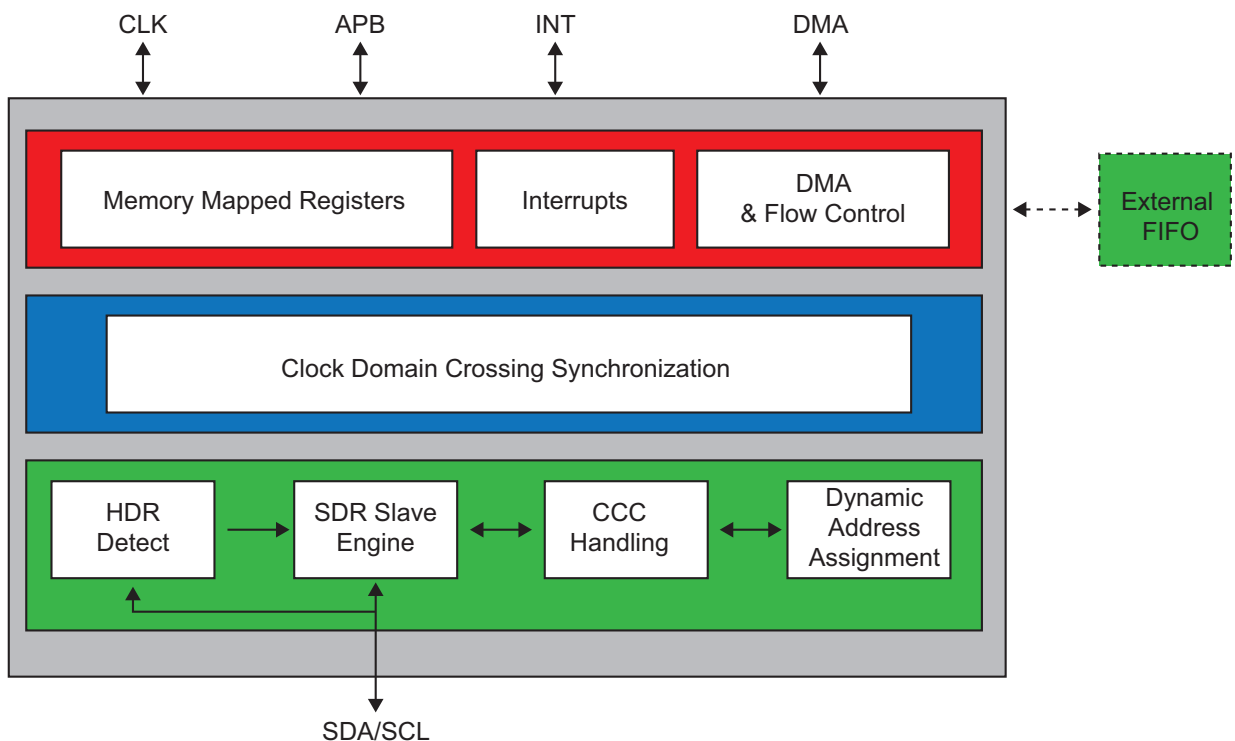
I3C Dual-Role Master

The I3C Dual-Role Master controller is a highly configurable I3C master that can be used in microcontroller based environments to provide I3C connectivity to any device. It contains master capabilities as well as the same features as the I3C Advanced Slave. It can be configured in a number of different ways to allow the core to use the minimum amount of logic to reduce both area (cost) and power.

FEATURES

- Highly configurable core that allows customer to minimize unneeded logic
- Compliant with the latest version of the MIPI I3C specification
 - Legacy I2C coexistence, including I2C messaging
 - Dynamic addressing
 - Multi-drop capability
 - Multi-master capability
 - Standard data rate (SDR)
 - Error detection types (S0-S5, M0-M2)
- Advanced I3C features
 - Hot join
 - Hot-join Dynamic Address Assignment
 - Secondary Master
 - SDR-only Secondary Master
 - Status I2C address support (Slave and SDR only Slave)
 - Support for I2C pads with 50ns glitch detector
 - In-band interrupts
 - Asynchronous time stamping (Mode 0)
 - High-speed mode (HDR-DDR)
 - Additional CCC's (ENTAS1-2, ENEC/DISEC, SET/GET Max, GETMXDS)
- AMBA APB (v3) application interface
 - Memory mapped registers
 - DMA, flow control features
 - FIFO options
 - Internal 2-byte ping-pong buffer
 - Internal FIFO (up to 32 bytes)
 - External FIFO interface
 - Slow clock option for ultra-low power operation
- Low gate count (2-5K gates, depending on configuration)

BLOCK DIAGRAM



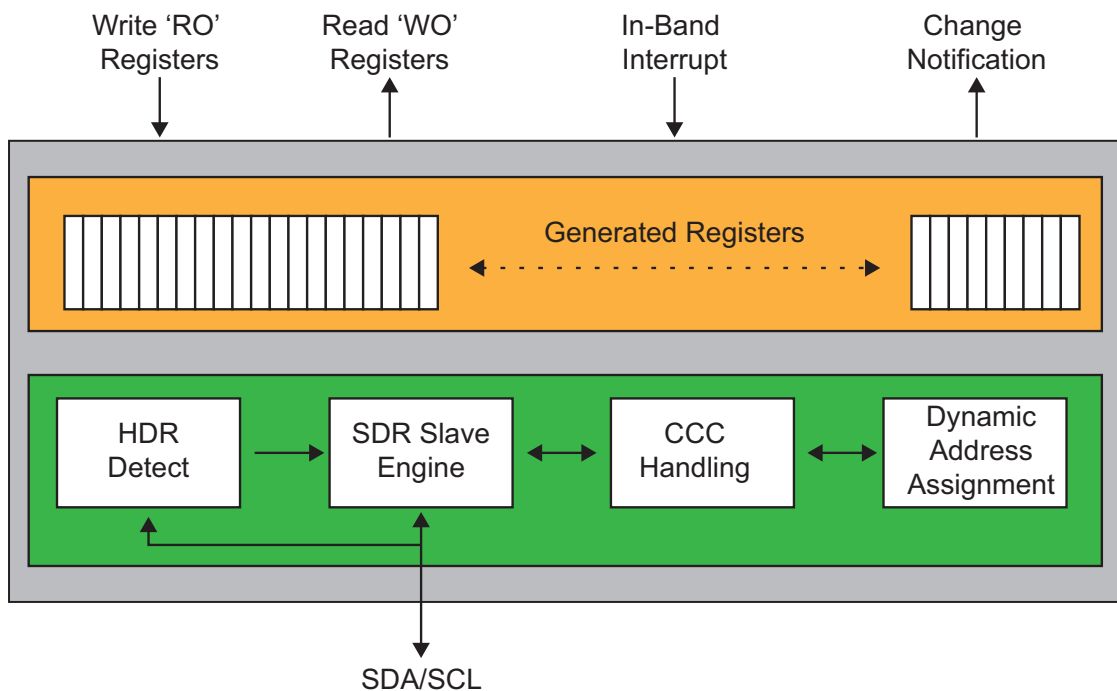
I3C Autonomous Slave

The I3C Autonomous Slave controller is intended for simple, data acquisition types of applications where a microprocessor is not needed to process the data. Instead, data is exchanged via a simple set of register interfaces to the application and the controller autonomously manages all of the communication to an upstream I3C Master.

FEATURES

- Highly configurable core that allows customer to minimize unneeded logic
 - Compliant with the latest version of the MIPI I3C specification
 - Legacy I2C coexistence, including I2C messaging
 - Support for I2C pads with 50ns glitch detector
 - Dynamic addressing
 - Multi-drop capability
 - Standard data rate (SDR)
 - Error detection types (S0-S5, M0-M2)
- Advanced I3C features
 - Hot join
 - Status I2C address support (Slave and SDR only Slave)
 - In-band interrupts
 - Asynchronous time stamping (Mode 0)
 - High-speed mode (HDR-DDR)
 - Additional CCC's (ENTAS1-2, ENEC/DISEC, SET/GET Max, GETMXDS)
- Low gate count (<2K gates)

BLOCK DIAGRAM



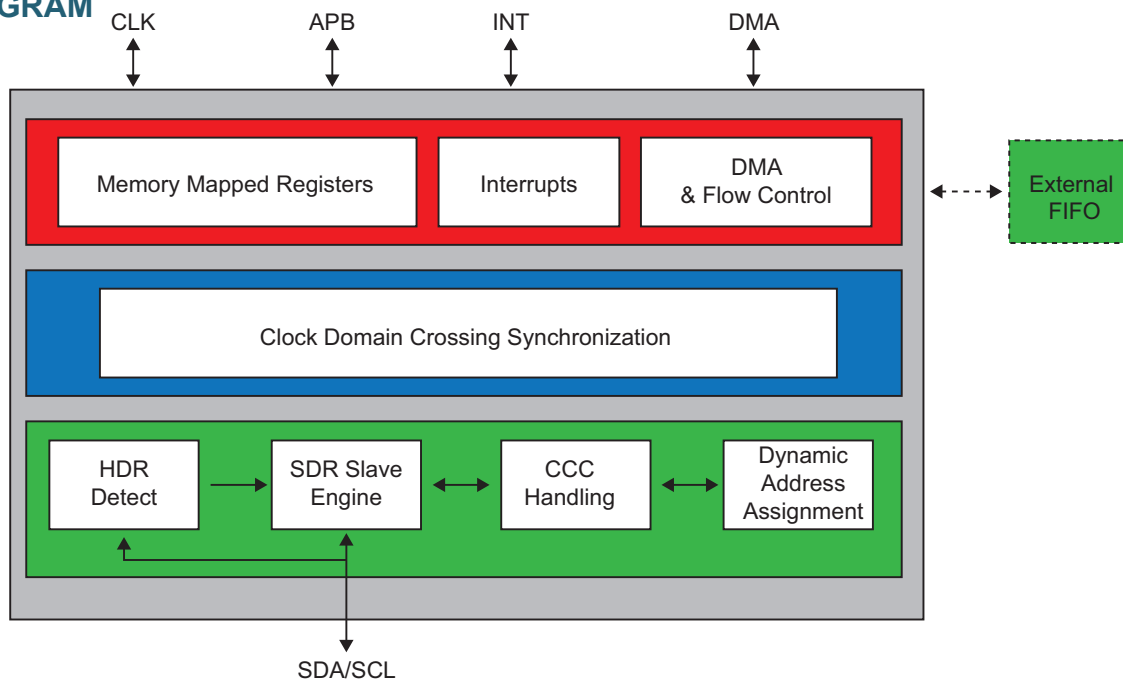
I3C Advanced Slave

The I3C Advanced Slave controller is a highly configurable I3C slave that can be used in microcontroller based environments to provide I3C connectivity to any device. It can be configured in a number of different ways to allow the core to use the minimum amount of logic to reduce both area (cost) and power.

FEATURES

- Highly configurable core that allows customer to minimize unneeded logic
- Compliant with the latest version of the MIPI I3C specification
 - Legacy I2C coexistence, including I2C messaging
 - Dynamic addressing
 - Multi-drop capability
 - Standard data rate (SDR)
 - Error detection types (S0-S5, M0-M2)
- Advanced I3C features
 - Hot join
 - Status I2C address support (Slave and SDR only Slave)
 - Support for I2C pads with 50ns glitch detector
 - In-band interrupts
 - Asynchronous time stamping (Mode 0)
 - High-speed mode (HDR-DDR)
 - Additional CCC's (ENTAS1-2, ENEC/DISEC, SET/GET Max, GETMXDS)
- AMBA APB (v3) application interface
 - Memory mapped registers
 - DMA, flow control features
 - FIFO options
 - Internal 2-byte ping-pong buffer
 - Internal FIFO (up to 32 bytes)
 - External FIFO interface
 - Slow clock option for ultra-low power operation
- Low gate count (2-4K gates, depending on configuration)

BLOCK DIAGRAM



For more information, please contact us at ip@silvaco.com.

SILVACO

HEADQUARTERS
2811 Mission College Boulevard, 6th Floor
Santa Clara, CA 95054
Phone: 408-567-1000
Fax: 408-496-6080

CALIFORNIA

sales@silvaco.com
408-567-1000

MASSACHUSETTS

masales@silvaco.com
978-323-7901

TEXAS

txsales@silvaco.com
512-418-2929

JAPAN

jpsales@silvaco.com

EUROPE

eusales@silvaco.com

FRANCE

eusales@silvaco.com

KOREA

krsales@silvaco.com

TAIWAN

twsales@silvaco.com

SINGAPORE

sgsales@silvaco.com

CHINA

cnsales@silvaco.com



WWW.SILVACO.COM

Rev 080619_02
70002, 70005, 70016