

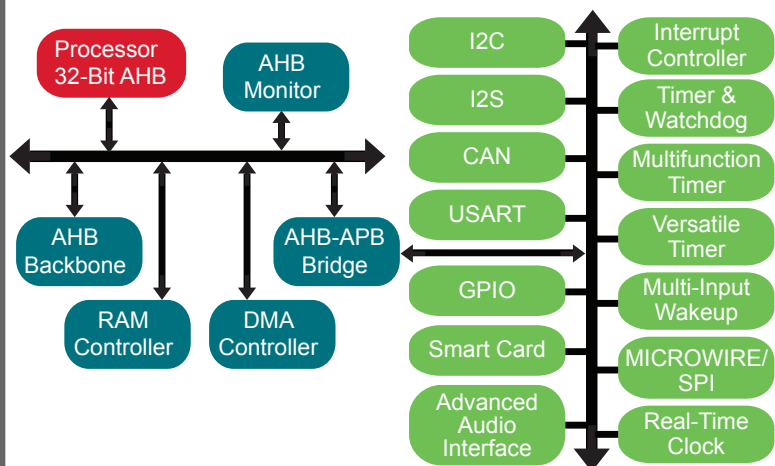
Production-Proven IP and IP Management Technology

Silvaco licenses a broad and ever-growing portfolio of production proven semiconductor IP and IP management technology to chip designers worldwide as a result of its acquisition of IPextreme in June 2016. Through our collaboration with leading semiconductor companies, we provide our customers with high value, differentiated, silicon-proven IP cores that can be integrated into any ASIC, ASSP, and FPGA device. Our Xena IP management software provides customers with an enterprise-level solution to securely manage and track IP usage within your company. Our patent-pending IP Fingerprinting and DNA analysis software allows companies to retroactively scan chip databases to discover any IP that may be contained therein to insure their company is always in compliance.

Processor and Microcontroller IP

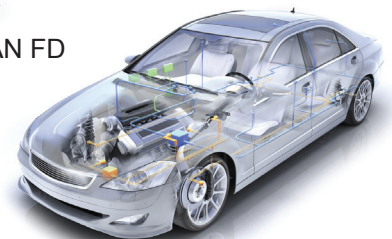
Processor/Architecture		MIPS/ MHz	Gates	MHz	AMBA	Advanced Features	Peripherals
8-bit	M8051EW	0.06	8K	300		OCI debug	Serial I/O, timer, interrupt controller
	HCS08	0.10	8K	200		MMU	
16-Bit	C166S	0.50	35K	125		MAC, on-chip debug	Serial I/O, timer, interrupt controller, GPIO
	CR16CP	0.48	30K	200	✓	Nexus debug	
32-Bit ColdFire	V1 Core	1.15	19K	200	✓	MAC, on-chip debug	
	V2 Core	1.05	53K	240	✓	MAC, cache, on-chip debug	
	V4 Core	1.54	250K	410	✓	MAC, MMU, FPU, on-chip debug	
	V1 Platform	1.15	50–124K	200	✓	EMAC, CAU, on-chip debug	Crossbar, timer, UART, SPI, I2C, DMAC, RGPIO, interrupt controller
	V2 SPP	1.05	170K	240	✓	MAC, cache, on-chip debug	Crossbar, timer, UART, SPI, I2C, DMAC, 10/100 Ethernet, intr. ctr.
	V4 SPP	1.54	370K	410	✓	MAC, MMU, FPU, cache, on-chip debug	
32-Bit Power	e200z0	1.20	90K	150	✓	Nexus debug	
	e200z1	1.23	140K	150	✓	MMU, Nexus	
	e200z3	1.47	250K	150	✓	MMU, SIMD, FPU, Nexus	
	e200z6	1.50	360K	300	✓	MMU, SIMD, FPU, cache, Nexus	

AMBA Subsystem IP



Automotive IP

- FlexRay
- CAN/CAN FD
- MSC
- MLI

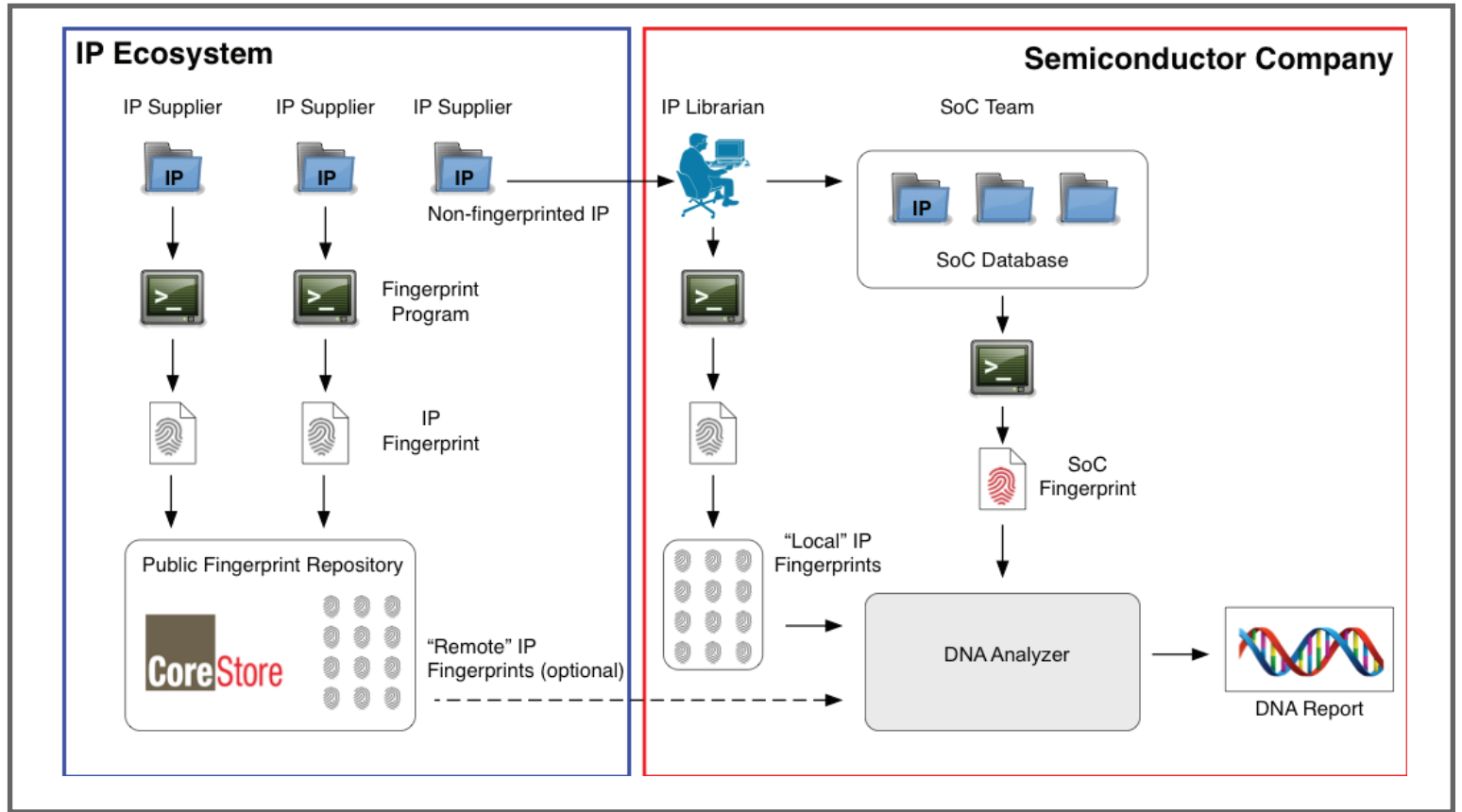


Test and Debug

- IEEE 1149.7 Compact JTAG (cJTAG)
- IEEE 1149.7 DTS Adapter



Xena is the industry's most powerful software platform for managing internal and external IP at the enterprise level. Fully integrated with Xena but also available as a standalone product is our new IP Fingerprinting and DNA analysis software that allows companies to scan their chip databases searching for evidence of IP that maybe contained therein. More information including access to the free fingerprinting software can be found at the Core Store® at <http://the-core-store.com>



About Silvaco IP

With the acquisition of IPextreme, Silvaco takes IP reuse to the next level with its long established strategic partnerships with the biggest semiconductor companies in the industry who wish to monetize their internal IP assets and bring them to the broader market. All of the IP in our portfolio has been silicon-proven in volume product before it even reaches Silvaco where its team of IP experts prepares the IP so that it can be easily used in any design. We have the largest portfolio of embedded microcontroller IP and automotive IP portfolio with over 200 customers in more than 22 countries.

Strategic Partners



SILVACO

HEADQUARTERS
 2811 Mission College Blvd., 4th Floor
 Santa Clara, CA 95054 USA
 Phone: 408-567-1000
 Fax: 408-496-6080



CALIFORNIA

sales@silvaco.com
 408-567-1000

MASSACHUSETTS

masales@silvaco.com
 978-323-7901

TEXAS

txsales@silvaco.com
 512-418-2929

JAPAN

jpsales@silvaco.com

EUROPE

eusales@silvaco.com

FRANCE

eusales@silvaco.com

KOREA

krsales@silvaco.com

TAIWAN

twsales@silvaco.com

SINGAPORE

sgsales@silvaco.com

CHINA

cnsales@silvaco.com

WWW.SILVACO.COM